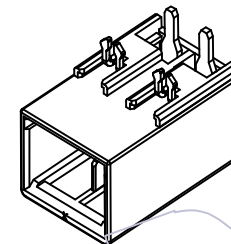


# HSF

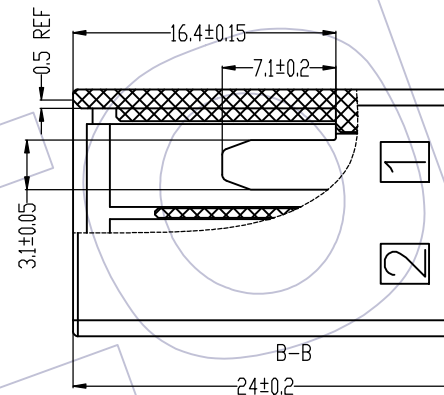
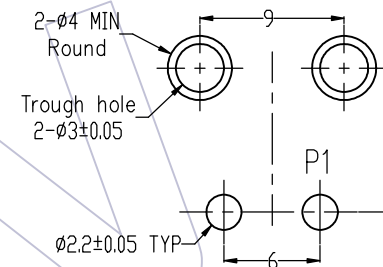
**NOTES:**

- 1.Current Rating:24A;
- 2.Voltage Rating:600V AC/DC;
- 3.Contact Resistance: 5mΩ Max;
- 4.Withstand Voltage: 2200V AC;
- 5.Insulation Resistance: 1000MΩ Min;
- 6.Operating Temperature: -55°C to +105°C;
- 7.Insulator Material: PBT,G.F,UL94V-0,BK;
- 8.Contact Material:Copper Alloy;
- 9.Contact plating:  
W4: 15μ" Gold on contact area (See ordering information),  
100μ" Matte TIN on solder area,  
50μ" Nickel underplating overall;
- 10.Recommended process:  
Wavesolder,Peak temperature:260±5°C, 5s ;

PART NO	KEY	KEY LOCATION
WD6000-1WR02W4BT11	X	
WD6000-1WR02W4BT12	Y	UNDETERMINED



Recommended P.C.B Layout(Top Side)  
PCB THICKNESS:1.6 ~ 2.4±0.1  
(PCB BOARD TOLERANCE±0.05)



## Ordering Information

WD6000-1 WR 02 W4 B T 1 X

1=Single Row

R=R/A DIP

No.of Pins:  
02=2P;

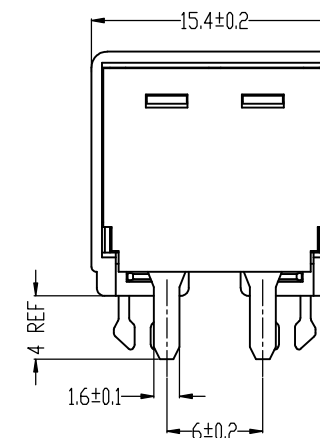
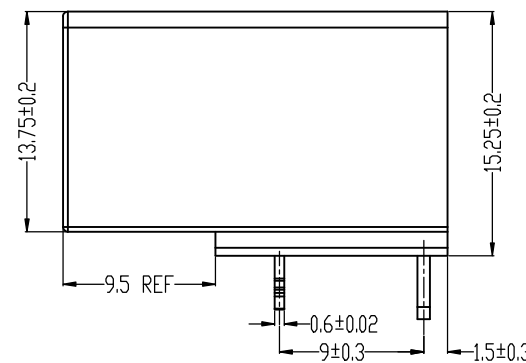
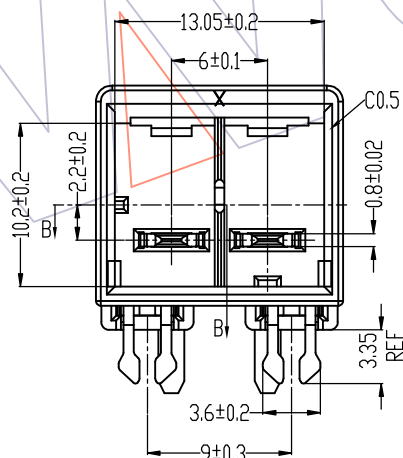
Contact Plating:  
W4=15μ" Gold/Matte Sn

Color:  
B=Black

T=Tube

1=WITH COVER

CODE OF KEYING  
1=X; 2=Y



REV	DATE	MODIFICATION DESCRIPTION	CHANGE	OPERATION		DRAW	DATE	SCALE	FIT	PART NO.	<div style="text-align: center;"><b>WCON</b></div> Http: www.wcon.com WCON-Dongguan      WCON-Kunshan Tel: +86 769 85358920      Tel: +86 512 57468408 Fax: +86 769 85358915      Fax: +86 512 57468468 E-mail: sales@wcon.com      E-mail: salesks@wcon.com	
				x.x	±0.40							
				x.xx	±0.25	CHECK	DATE			WD6000-1WR02W4BT1X	TITLE: 6.0mm DYN. Type	
				x.xxx	±0.15						MALE 90° DIP Type 2P	
1	2021. 06. 02	NEW		Angle	± 3°	APPROVE	DATE				WITH COVER	
				DIM	TOL						Customer NO.	